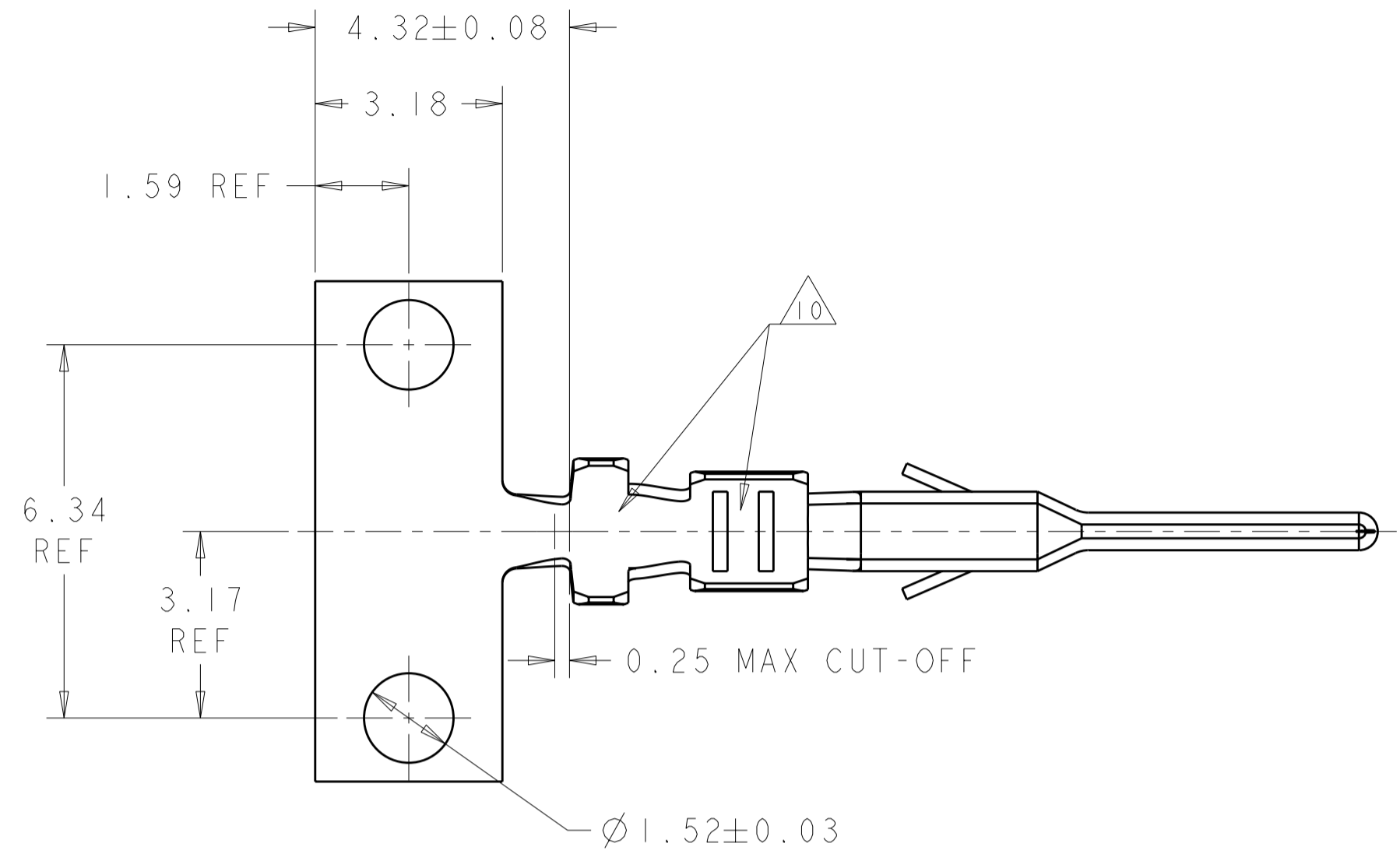
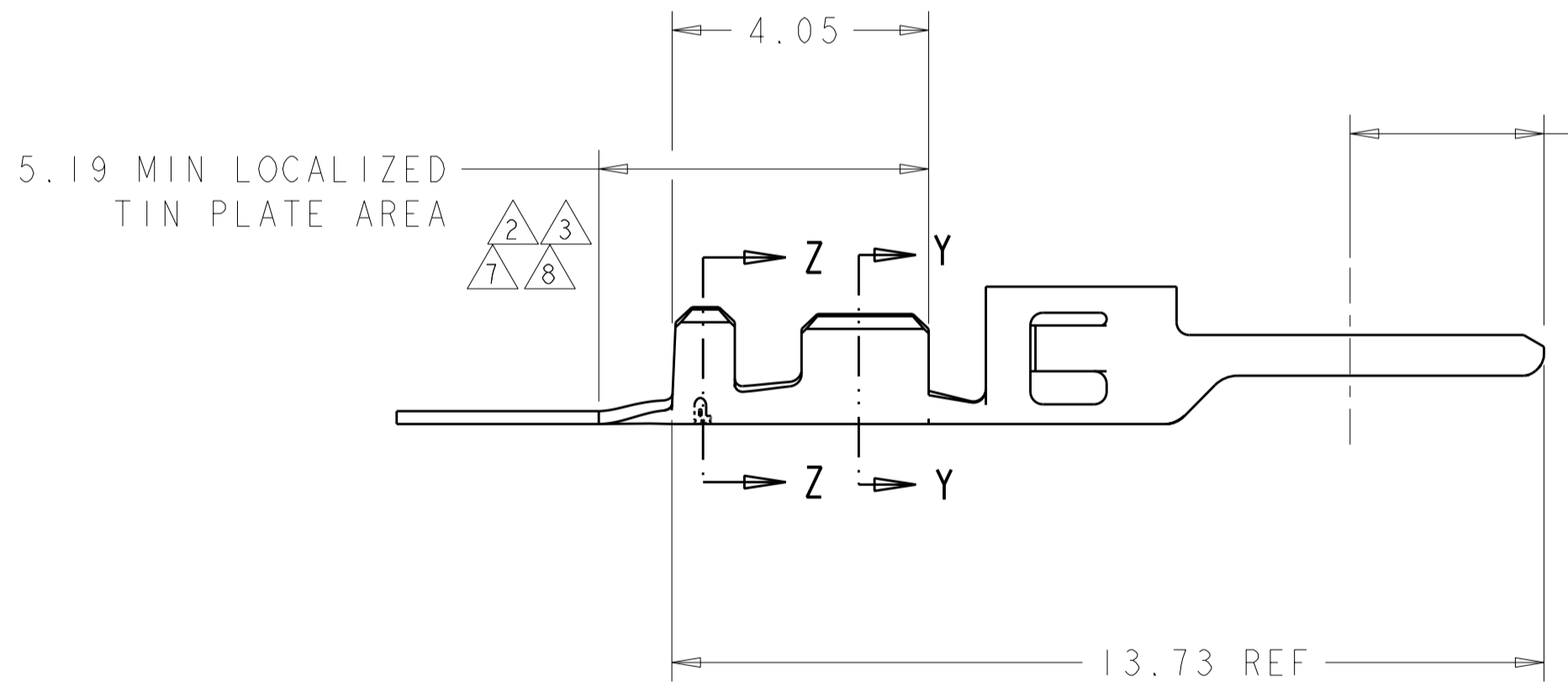


THIS DRAWING IS UNPUBLISHED. RELEASED FOR PUBLICATION 20  
 © COPYRIGHT 20 BY - ALL RIGHTS RESERVED.

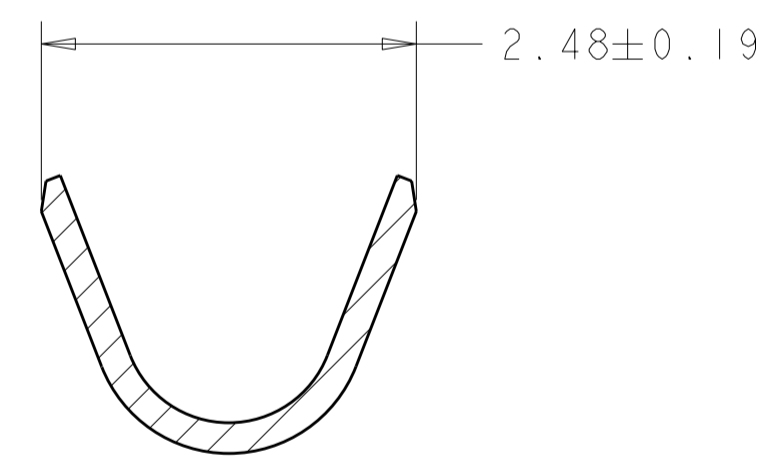
| LOC | DIST | REVISIONS |     |                           |           |     |      |
|-----|------|-----------|-----|---------------------------|-----------|-----|------|
| CM  | 00   | P         | LTR | DESCRIPTION               | DATE      | DWN | APVD |
|     |      |           | D2  | REVISED PER ECO-11-005027 | 15MAR2011 | RK  | HMR  |



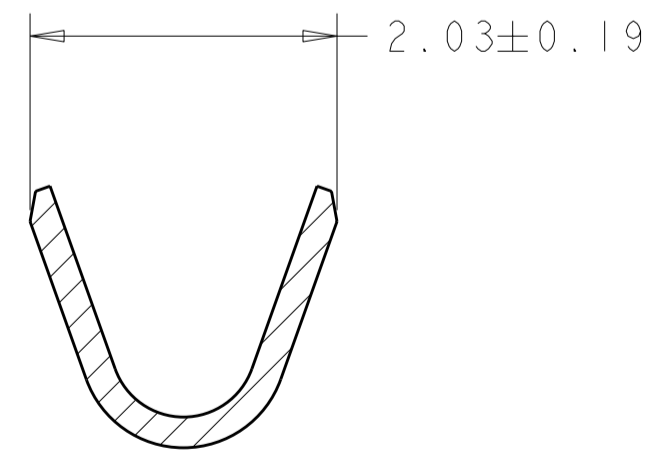
- 1 2.54 µm MIN BRIGHT TIN/LEAD ENTIRE STOCK OVER 1.27 µm MIN NICKEL ENTIRE STOCK.
- 2 0.38 µm MIN GOLD IN LOCALIZED GOLD PLATE AREA, 2.54 µm MIN BRIGHT TIN/LEAD IN LOCALIZED TIN/LEAD PLATE AREA, BOTH OVER 1.27 µm MIN NICKEL ON ENTIRE STOCK.
- 3 0.76 µm MIN GOLD IN LOCALIZED GOLD PLATE AREA, 2.54 µm MIN BRIGHT TIN/LEAD IN LOCALIZED TIN/LEAD PLATE AREA, BOTH OVER 1.27 µm MIN NICKEL ON ENTIRE STOCK.
- 4 WIRE RANGE 20-24 AWG.
- 5 INSULATION RANGE 0.89-1.52
- 6 2.54 µm MIN BRIGHT TIN ENTIRE STOCK OVER 1.27 µm MIN NICKEL ENTIRE STOCK.
- 7 0.38 µm MIN GOLD IN LOCALIZED GOLD PLATE AREA, 2.54 µm MIN BRIGHT TIN IN LOCALIZED TIN PLATE AREA, BOTH OVER 1.27 µm MIN NICKEL ON ENTIRE STOCK.
- 8 0.76 µm MIN GOLD IN LOCALIZED GOLD PLATE AREA, 2.54 µm MIN BRIGHT TIN IN LOCALIZED TIN PLATE AREA, BOTH OVER 1.27 µm MIN NICKEL ON ENTIRE STOCK.
- 9 NOTE DELETED.
- 10 TIN PLATING THICKNESS INSIDE WIRE AND INSULATION BARRELS TO BE 1.27 µm MIN.



3.00 MIN LOCALIZED GOLD PLATE AREA 2 3 7 8

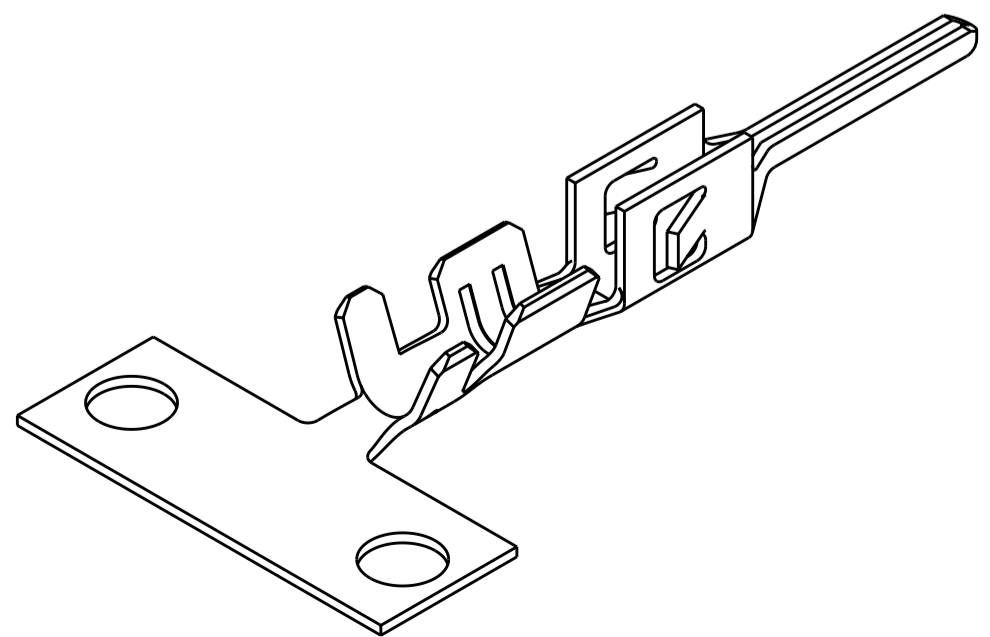


SECTION Z-Z  
SCALE 20:1



SECTION Y-Y  
SCALE 20:1

|        |             |
|--------|-------------|
| 8      | 1-794608-2  |
| 7      | 1-794608-1  |
| 6      | 1-794608-0  |
| 3      | 794608-3    |
| 2      | 794608-2    |
| 1      | 794608-1    |
| FINISH | PART NUMBER |



THIS DRAWING IS A CONTROLLED DOCUMENT.

|                         |  |                        |  |                    |
|-------------------------|--|------------------------|--|--------------------|
| DIMENSIONS: mm          | TOLERANCES UNLESS OTHERWISE SPECIFIED: | DWN W J RUDY 29AUG2000 | TE Connectivity  |                    |
| 0 PLC ±                 | 1 PLC ±                                | CHK W DAVIS 29AUG2000  | NAME PLUG CONTACT, CRIMP SNAP, 20-24 AWG, MICRO MATE-N-LOK(TM) |                    |
| 2 PLC ±0.13             | 3 PLC ±                                | APVD W DAVIS 29AUG2000 | SIZE A200779   | CAGE CODE C-794608 |
| 4 PLC ±                 | ANGLES ±                               | PRODUCT SPEC           | DRAWING NO   | RESTRICTED TO      |
| MATERIAL 0.20 THK BRASS | FINISH                                 | APPLICATION SPEC       | WEIGHT   | SCALE 10:1         |
|                         |  | CUSTOMER DRAWING       | SHEET 1 OF 1   | REV D2             |